

P/N 0E4C1/26115TTI



Diaphragm pump in aluminum and AISI 316 stainless steel series AIB-1, with double membrane in Teflon® and Hytrel®, balls in Teflon® and seats in AISI 316 stainless steel

SECTORS OF USE

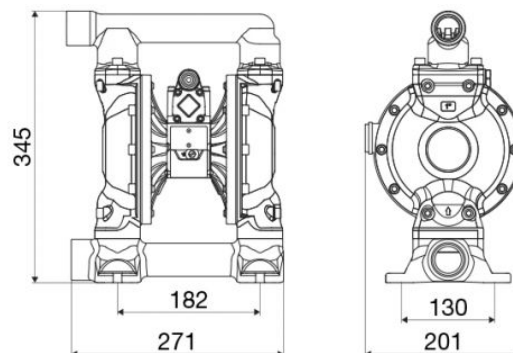
Agriculture, Automotive, Building and road construction, Industry, Mining, Lube trucks and transports

FEATURES

Ratio	1:1
Flow rate	150 l/min
Max pressure	8 bar
Max cycles per minute	300 cpm
Delivery per cycles	0,590 l
Max suction lift	dry column 5 m - wet column 7,5 m
Max size pumpable solids	3 mm
Max working temperature	100 °C
Noise level	75 dB
Max air consumption	1,4 m³/min
Air working pressure	3÷8 bar
Air inlet connection	G 3/8" (f)
Air outlet connection (muffler)	G 1/2" (f)
Fluid inlet connection	G 1.1/4" (f)
Fluid outlet connection	G 1" (f)



OVERALL DIMENSIONS (mm)



Balls for inlet	ball valve
Membranes	Teflon® +Hytrel®
Balls	Teflon®
Seats	AISI 316 stainless steel
Packing	No. 1 - 0,030 m ³
Gross weight	25 kg