

P/N 74340/30

AISI 304 stainless steel manual hose reel s. 430, for hot water, 200 bar, without hose. Inlet G 3/8" (f), outlet G 1/2" (f)

SECTORS OF USE

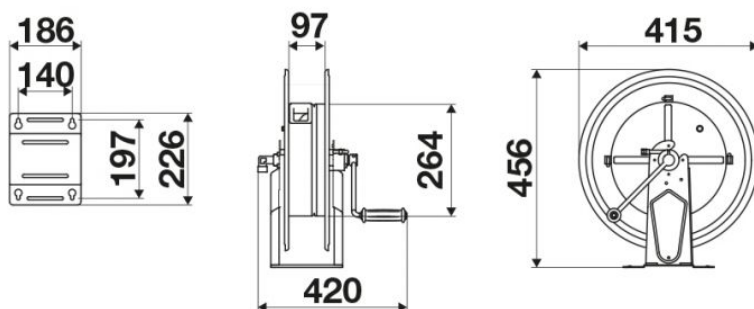
Agriculture, Cleaning, Industry, Mining, Lube trucks and transports

FEATURES

Pressure	200 bar
Compatible fluids	water max 130 °C
Swivel joint	AISI 304 stainless steel
Seals	Viton®
Characteristic	manual
Material	AISI 304 stainless steel
Couplings	-
Hose	-
ø e hose length	-
Inlet	G 3/8" (f)
Outlet	G 1/2" (f)
Reel flow path	AISI 304 stainless steel



OVERALL DIMENSIONS (mm)



FURTHER FEATURES

Capacity 1/4"	Capacity 5/16"	Capacity 3/8"	Capacity 1/2"	Capacity 5/8"	Capacity 3/4"
50 m	35 m	25 m	17 m	15 m	8 m