

## P/N 75340/35

AISI 304 stainless steel manual hose reel s. 530, for hot water, 400 bar, without hose. Inlet G 3/8" (f), outlet G 1/2" (f)

### SECTORS OF USE

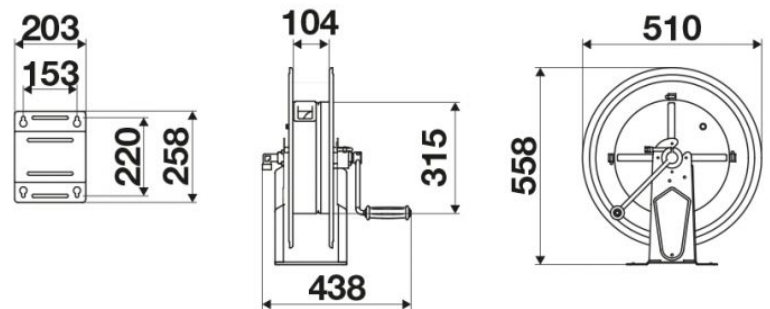
Agriculture, Cleaning, Industry, Mining, Lube trucks and transports

### FEATURES

Pressure	400 bar
Compatible fluids	water max 130 °C
Swivel joint	AISI 304 stainless steel
Seals	Viton® and Teflon®
Characteristic	manual
Material	AISI 304 stainless steel
Couplings	-
Hose	-
ø e hose length	-
Inlet	G 1/2" (f)
Outlet	G 1/2" (f)
Reel flow path	AISI 304 stainless steel



### OVERALL DIMENSIONS (mm)



### FURTHER FEATURES

Capacity 1/4"	Capacity 5/16"	Capacity 3/8"	Capacity 1/2"	Capacity 5/8"
90 m	65 m	35 m	25 m	20 m