

## P/N 75640/20

AISI 304 stainless steel manual hose reel s. 560, for hot water, 100 bar, without hose. Inlet-outlet G 1" (f)

### SECTORS OF USE

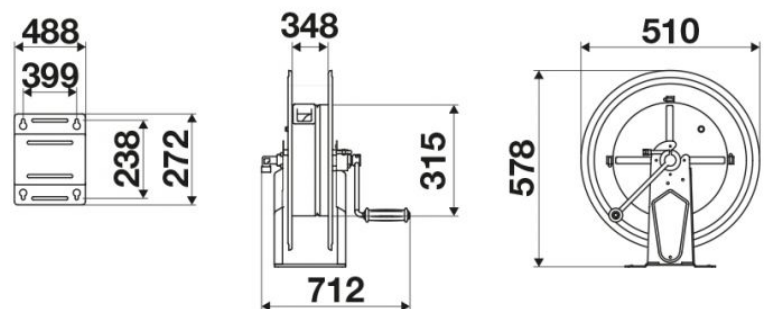
Agriculture, Cleaning, Industry, Mining, Lube trucks and transports

### FEATURES

Pressure	100 bar
Compatible fluids	water max 130 °C
Swivel joint	AISI 304 stainless steel
Seals	Viton®
Characteristic	manual
Material	AISI 304 stainless steel
Couplings	-
Hose	-
Ø e hose length	-
Inlet	G 1" (f)
Outlet	G 1" (f)
Reel flow path	AISI 304 stainless steel



### OVERALL DIMENSIONS (mm)



### FURTHER FEATURES

Capacity 1/4"	Capacity 5/16"	Capacity 3/8"	Capacity 1/2"	Capacity 5/8"	Capacity 3/4"	Capacity 1"
320 m	240 m	140 m	100 m	90 m	60 m	30 m