

P/N 75350/35

AISI 316 stainless steel manual hose reel s. 530, for hot water, 400 bar, without hose. Inlet G 3/8" (f), outlet G 1/2" (f)

SECTORS OF USE

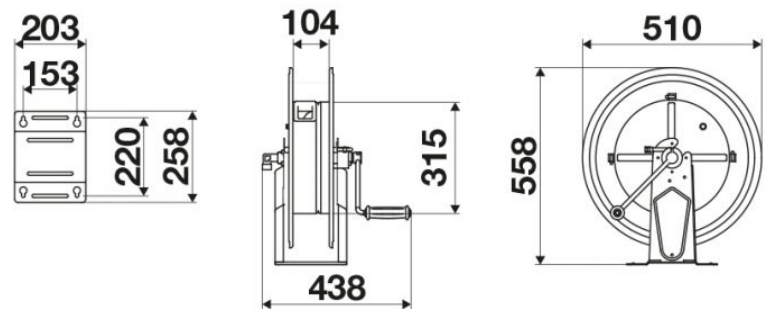
Agriculture, Cleaning, Industry, Mining, Lube trucks and transports

FEATURES

Pressure	400 bar
Compatible fluids	water max 130 °C, oils and similar products, grease, diesel fuel, AdBlue®
Swivel joint	AISI 316 stainless steel
Seals	Viton® and Teflon®
Characteristic	manual
Material	AISI 316 stainless steel
Couplings	-
Hose	-
Ø e hose length	-
Inlet	G 3/8" (f)
Outlet	G 1/2" (f)
Reel flow path	AISI 316 stainless steel



OVERALL DIMENSIONS (mm)



FURTHER FEATURES

Capacity 1/4"	Capacity 5/16"	Capacity 3/8"	Capacity 1/2"	Capacity 5/8"
90 m	65 m	35 m	25 m	20 m