

## P/N 75450/25

AISI 316 stainless steel manual hose reel s. 540, for hot water, 100 bar, without hose. Inlet-outlet G 1/2" (f)

### SECTORS OF USE

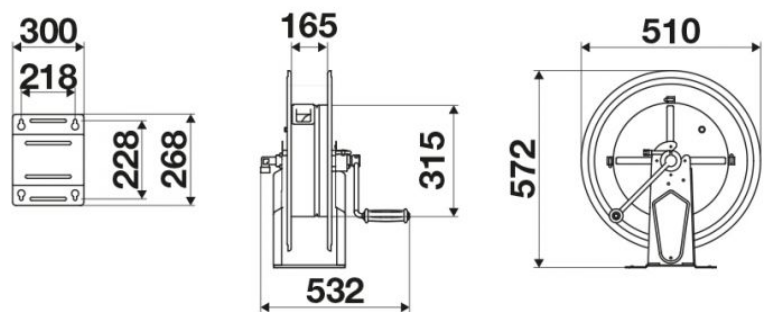
Agriculture, Cleaning, Industry, Mining, Lube trucks and transports

### FEATURES

Pressure	100 bar
Compatible fluids	water max 130 °C
Swivel joint	AISI 316 stainless steel
Seals	Viton®
Characteristic	hydraulic
Material	AISI 316 stainless steel
Couplings	-
Hose	-
Ø e hose length	-
Inlet	G 1/2" (f)
Outlet	G 1/2" (f)
Reel flow path	AISI 316 stainless steel



### OVERALL DIMENSIONS (mm)



### FURTHER FEATURES

Capacity 1/4"	Capacity 5/16"	Capacity 3/8"	Capacity 1/2"	Capacity 5/8"	Capacity 3/4"	Capacity 1"
150 m	110 m	65 m	45 m	35 m	25 m	15 m