

P/N OE843001/6000

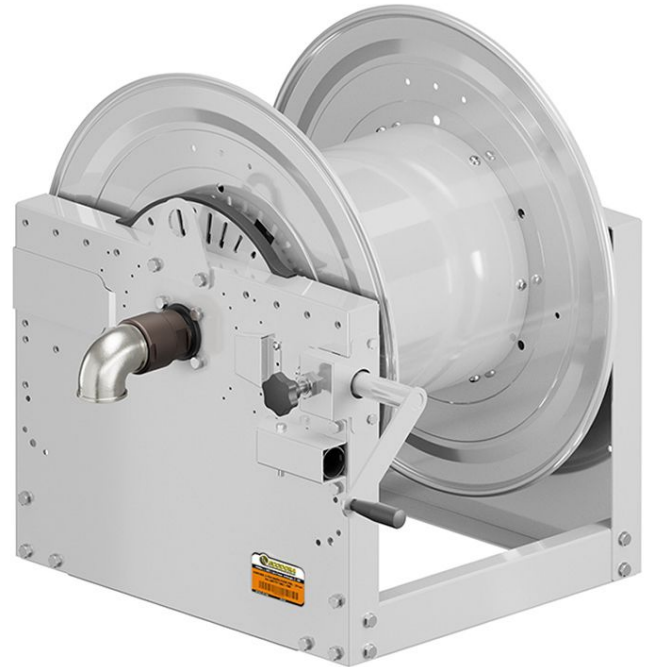
Manual hose reel in painted steel s. 700, for air-water, 70 bar, without hose. Drum width 410 mm. Inlet-outlet G 2" (f) with reel flow path in AISI 316 stainless steel

SECTORS OF USE

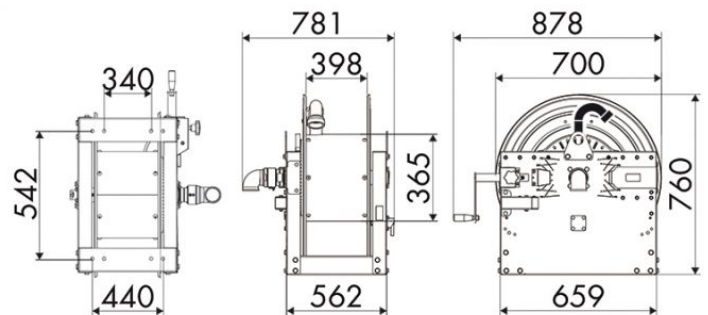
Industry, Mining, Lube trucks and transports

FEATURES

| | |
|-------------------|--------------------------|
| Pressure | 70 bar |
| Compatible fluids | air - water |
| Swivel joint | AISI 316 stainless steel |
| Seals | Viton® |
| Characteristic | manual |
| Material | painted steel |
| Couplings | - |
| Hose | - |
| Ø e hose length | - |
| Inlet | G 2" (f) |
| Outlet | G 2" (f) |
| Reel flow path | AISI 316 stainless steel |



OVERALL DIMENSIONS (mm)



FURTHER FEATURES

| Capacity 3/8" | Capacity 1/2" | Capacity 3/4" | Capacity 1" | Capacity 1.1/4" | Capacity 1.1/2" | Capacity 2" |
|---------------|---------------|---------------|-------------|-----------------|-----------------|-------------|
| 420 m | 280 m | 180 m | 100 m | 60 m | 50 m | 30 m |