

P/N 75400/10

Manual hose reel s. 540, for air-water, 20 bar, without hose. Inlet-outlet G 1" (f)

SECTORS OF USE

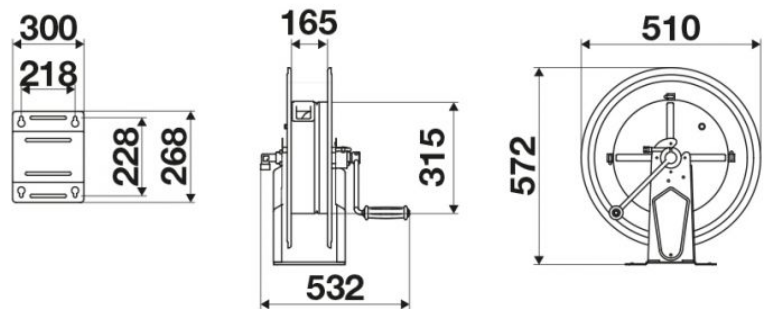
Agriculture, Building and road construction, Industry, Mining, Lube trucks and transports

FEATURES

Pressure	10 - 20 bar
Compatible fluids	air - water - diesel fuel
Swivel joint	brass
Seals	Viton®
Characteristic	manual
Material	painted steel
Couplings	-
Hose	-
Ø e hose length	-
Inlet	G 1" (f)
Outlet	G 1" (f)
Reel flow path	brass - zinc plated steel



OVERALL DIMENSIONS (mm)



FURTHER FEATURES

Capacity 1/4"	Capacity 5/16"	Capacity 3/8"	Capacity 1/2"	Capacity 5/8"	Capacity 3/4"	Capacity 1"
150 m	110 m	65 m	45 m	35 m	25 m	15 m