

P/N 0E821901/2000

Hose reel with pneumatic motorization in painted steel
 s. 700, for air-water and diesel, 20 bar, without hose.
 Drum width 270 mm. Inlet-outlet G 2" (f)

SECTORS OF USE

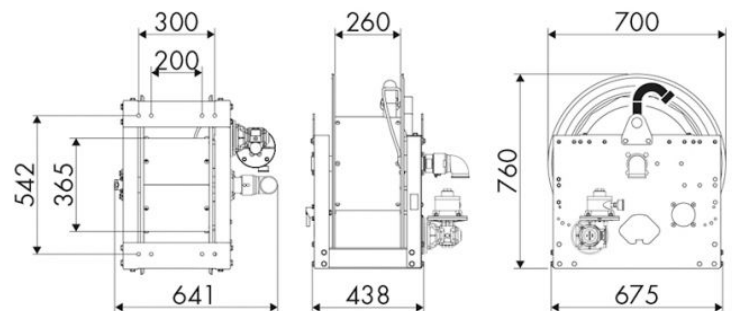
Industry, Mining, Lube trucks and transports

FEATURES

Pressure	20 bar
Compatible fluids	air - water - diesel fuel
Swivel joint	aluminum
Seals	Viton®
Characteristic	pneumatic
Material	painted steel
Couplings	-
Hose	-
Ø e hose length	-
Inlet	G 2" (f)
Outlet	G 2" (f)
Reel flow path	aluminum - zinc plated steel



OVERALL DIMENSIONS (mm)



FURTHER FEATURES

Capacity 3/8"	Capacity 1/2"	Capacity 3/4"	Capacity 1"	Capacity 1.1/4"	Capacity 1.1/2"	Capacity 2"
160 m	110 m	65 m	32 m	20 m	17 m	10 m