

P/N 0E823301/5000

Hose reel with electric motorization 230 V AC - 50/60 Hz in painted steel s. 700, for air-water, 100 bar, without hose. Drum width 270 mm. Inlet-outlet G 1" (f) with reel flow path and junction in AISI 316 stainless steel

SECTORS OF USE

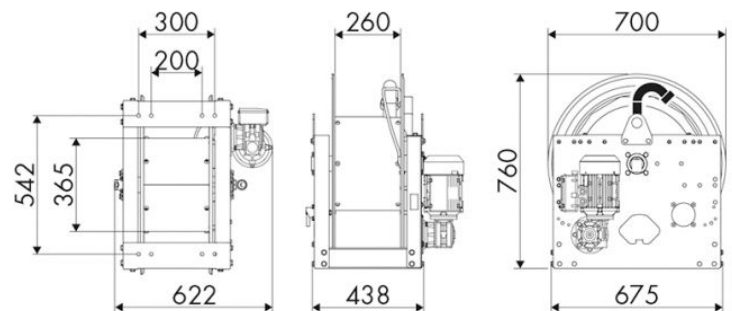
Industry, Mining, Lube trucks and transports

FEATURES

Pressure	100 bar
Compatible fluids	air - water - diesel fuel
Swivel joint	AISI 316 stainless steel
Seals	Viton®
Characteristic	electric 230 V AC - 50/60 Hz
Material	painted steel
Couplings	-
Hose	-
ø e hose length	-
Inlet	G 1" (f)
Outlet	G 1" (f)
Reel flow path	AISI 316 stainless steel



OVERALL DIMENSIONS (mm)



FURTHER FEATURES

Capacity 3/8"	Capacity 1/2"	Capacity 3/4"	Capacity 1"	Capacity 1.1/4"	Capacity 1.1/2"	Capacity 2"
160 m	110 m	65 m	30 m	20 m	15 m	10 m