

P/N 0E823402/5000

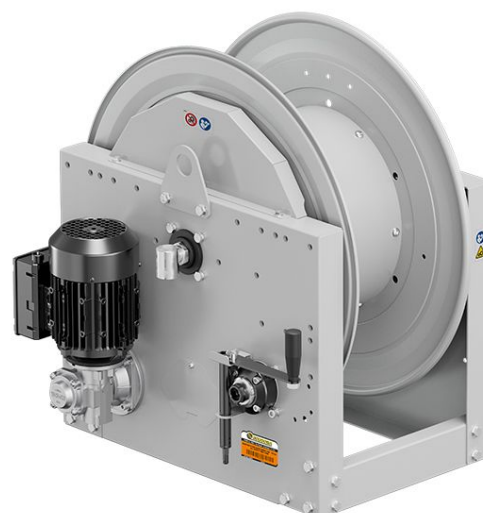
Hose reel with electric motorization 230 V AC - 50/60 Hz in painted steel, ATEX s. 700, for air-water and diesel, 100 bar, without hose. Drum width 270 mm. Inlet-outlet G 1" (f) with AISI 316 stainless steel reel flow path

SECTORS OF USE

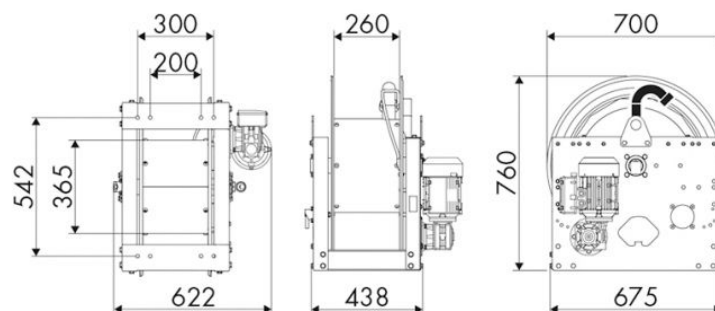
Industry, Mining, Lube trucks and transports

FEATURES

| | |
|-------------------|--------------------------------------|
| Pressure | 100 bar |
| Compatible fluids | air - water |
| Swivel joint | AISI 316 stainless steel |
| Seals | Viton® |
| Characteristic | electric 230 V AC - 50/60 Hz ATEX |
| Material | painted steel |
| Couplings | - |
| Hose | - |
| Ø e hose length | - |
| Inlet | G 1" (f) |
| Outlet | G 1" (f) |
| Reel flow path | AISI 316 stainless steel |



OVERALL DIMENSIONS (mm)



FURTHER FEATURES

| Capacity 3/8" | Capacity 1/2" | Capacity 3/4" | Capacity 1" | Capacity 1.1/4" | Capacity 1.1/2" | Capacity 2" |
|---------------|---------------|---------------|-------------|-----------------|-----------------|-------------|
| 160 m | 110 m | 65 m | 30 m | 20 m | 15 m | 10 m |