

P/N 0E841501/1000

Hose reel with electric motorization 400 V AC - 50/60 Hz in painted steel s. 700, for air-water and diesel, 20 bar, without hose. Drum width 410 mm. Inlet-outlet G 1" (f)

SECTORS OF USE

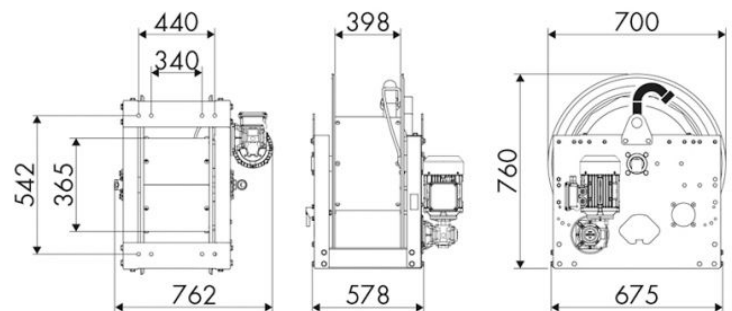
Industry, Mining, Lube trucks and transports

FEATURES

| | |
|-------------------|------------------------------|
| Pressure | 20 bar |
| Compatible fluids | air - water - diesel fuel |
| Swivel joint | aluminum |
| Seals | Viton® |
| Characteristic | electric 400 V AC - 50/60 Hz |
| Material | painted steel |
| Couplings | - |
| Hose | - |
| Ø e hose length | - |
| Inlet | G 1" (f) |
| Outlet | G 1" (f) |
| Reel flow path | aluminum - zinc plated steel |



OVERALL DIMENSIONS (mm)



FURTHER FEATURES

| Capacity 3/8" | Capacity 1/2" | Capacity 3/4" | Capacity 1" | Capacity 1.1/4" | Capacity 1.1/2" | Capacity 2" |
|---------------|---------------|---------------|-------------|-----------------|-----------------|-------------|
| 290 m | 180 m | 120 m | 64 m | 39 m | 34 m | 20 m |