

P/N 0E853301/6000

Hose reel with electric motorization 230 V AC - 50/60 Hz in painted steel s. 700, for air-water, 70 bar, without hose. Drum width 550 mm. Inlet-outlet G 2" (f) with AISI 316 stainless steel reel flow path junction

SECTORS OF USE

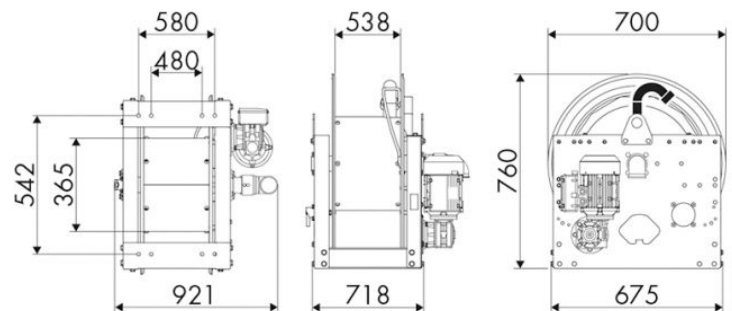
Industry, Mining, Lube trucks and transports

FEATURES

Pressure	70 bar
Compatible fluids	air - water - diesel fuel
Swivel joint	AISI 316 stainless steel
Seals	Viton®
Characteristic	electric 230 V AC - 50/60 Hz
Material	painted steel
Couplings	-
Hose	-
∅ e hose length	-
Inlet	G 2" (f)
Outlet	G 2" (f)
Reel flow path	AISI 316 stainless steel



OVERALL DIMENSIONS (mm)



FURTHER FEATURES

Capacity 3/8"	Capacity 1/2"	Capacity 3/4"	Capacity 1"	Capacity 1.1/4"	Capacity 1.1/2"	Capacity 2"
420 m	280 m	180 m	100 m	60 m	50 m	30 m