

**P/N  
0E871201/4000**

Hose reel with electric motorization 24 V DC in painted steel s. 700, for oil and similar, 70 bar, without hose.  
Drum width 690 mm. Inlet-outlet G 2" (f)

**SECTORS OF USE**

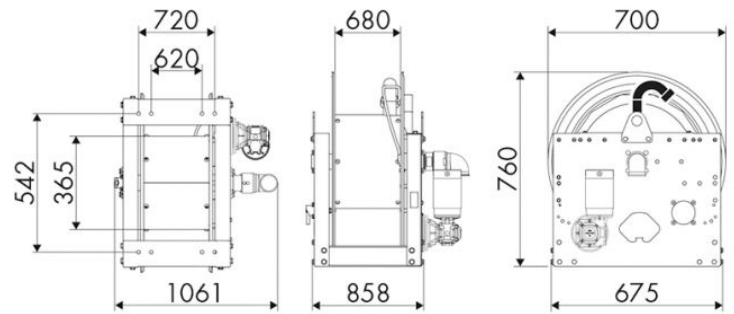
Industry, Mining, Lube trucks and transports

**FEATURES**

Pressure	70 bar
Compatible fluids	oils and similar products
Swivel joint	zinc plated steel
Seals	Viton®
Characteristic	electric 24 V DC
Material	painted steel
Couplings	-
Hose	-
Ø e hose length	-
Inlet	G 2" (f)
Outlet	G 2" (f)
Reel flow path	zinc plated steel



**OVERALL DIMENSIONS (mm)**



**FURTHER FEATURES**

Capacity 3/8"	Capacity 1/2"	Capacity 3/4"	Capacity 1"	Capacity 1.1/4"	Capacity 1.1/2"	Capacity 2"
550 m	350 m	244 m	134 m	84 m	75 m	43 m