

**P/N
0E871801/2000**

Hose reel with hydraulic motorization in painted steel s. 700, for air-water and diesel, 20 bar, without hose. Drum width 690 mm. Inlet-outlet G 2" (f)

SECTORS OF USE

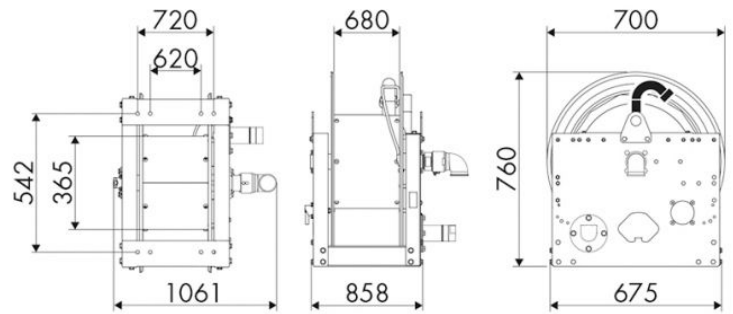
Industry, Mining, Lube trucks and transports

FEATURES

Pressure	20 bar
Compatible fluids	air - water - diesel fuel
Swivel joint	aluminum
Seals	Viton®
Characteristic	hydraulic
Material	painted steel
Couplings	-
Hose	-
Ø e hose length	-
Inlet	G 2" (f)
Outlet	G 2" (f)
Reel flow path	aluminum - zinc plated steel



OVERALL DIMENSIONS (mm)



FURTHER FEATURES

Capacity 3/8"	Capacity 1/2"	Capacity 3/4"	Capacity 1"	Capacity 1.1/4"	Capacity 1.1/2"	Capacity 2"
550 m	350 m	244 m	134 m	84 m	75 m	43 m