

P/N 617/500

Hose reel with hydraulic motorisation s. 617 for grease, 400 bar, without hose. Inlet-outlet G 1" (f)

SECTORS OF USE

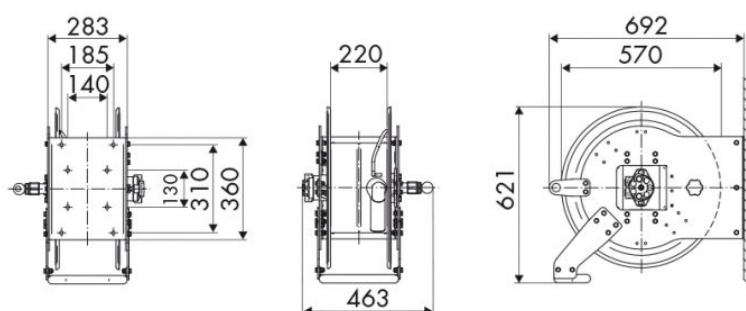
Industry, Mining, Lube trucks and transports

FEATURES

Pressure	400 bar
Compatible fluids	grease
Swivel joint	zinc plated steel
Seals	polyurethane
Characteristic	hydraulic
Material	painted steel
Couplings	-
Hose	-
Ø e hose length	-
Inlet	G 1" (f)
Outlet	G 1" (f)
Reel flow path	zinc plated steel



OVERALL DIMENSIONS (mm)



FURTHER FEATURES

Capacity 3/8"	Capacity 1/2"	Capacity 5/8"	Capacity 3/4"	Capacity 1"
90 m	65 m	45 m	30 m	20 m