

P/N 618/100

Hose reel with pneumatic motorisation s. 618 for air-water, 20 bar, without hose. Inlet-outlet G 1" (f)

SECTORS OF USE

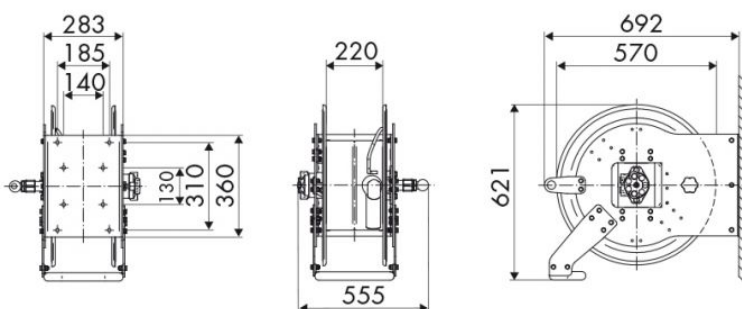
Industry, Mining, Lube trucks and transports

FEATURES

Pressure	10 - 20 bar
Compatible fluids	air - water
Swivel joint	brass
Seals	Viton®
Characteristic	pneumatic
Material	painted steel
Couplings	-
Hose	-
∅ e hose length	-
Inlet	G 1" (f)
Outlet	G 1" (f)
Reel flow path	brass - zinc plated steel



OVERALL DIMENSIONS (mm)



FURTHER FEATURES

Capacity 3/8"	Capacity 1/2"	Capacity 5/8"	Capacity 3/4"	Capacity 1"
90 m	65 m	45 m	30 m	20 m