

## P/N 638/600

Hose reel with pneumatic motorisation s. 638 for diesel fuel, 10 bar, without hose. Inlet-outlet G 1" (f)

### SECTORS OF USE

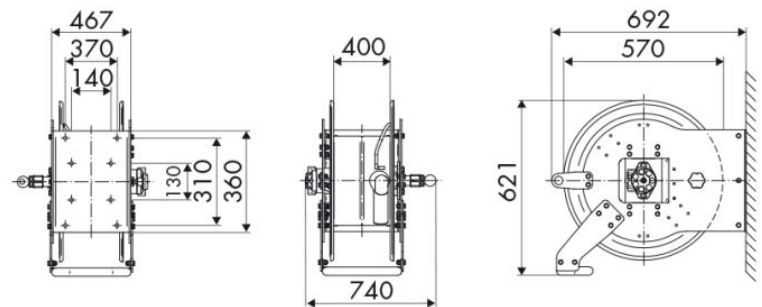
Industry, Mining, Lube trucks and transports

### FEATURES

Pressure	10 bar
Compatible fluids	diesel fuel
Swivel joint	brass
Seals	Viton®
Characteristic	pneumatic
Material	painted steel
Couplings	-
Hose	-
Ø e hose length	-
Inlet	G 1" (f)
Outlet	G 1" (f)
Reel flow path	brass - zinc plated steel



### OVERALL DIMENSIONS (mm)



### FURTHER FEATURES

Capacity 3/8"	Capacity 1/2"	Capacity 5/8"	Capacity 3/4"	Capacity 1"
200 m	150 m	110 m	75 m	50 m