

P/N 4532/50



Fixed hose reel in ABS and brackets in AISI 304 stainless steel, s. 530, for grease, 600 bar, without hose. Inlet G 3/8" (f) - outlet G 1/2" (f)

SECTORS OF USE

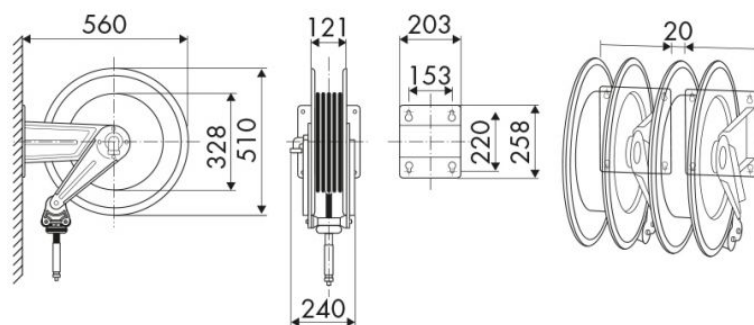
Agriculture, Automotive, Building and road construction, Industry, Lube trucks and transports

FEATURES

Pressure	600 bar
Compatible fluids	grease
Swivel joint	zinc plated steel
Seals	polyurethane
Characteristic	fixed
Material	AISI 304 stainless steel with ABS drum
Couplings	-
Hose	-
Ø e hose length	-
Inlet	G 3/8" (f)
Outlet	G 1/2" (f)
Reel flow path	zinc plated steel



OVERALL DIMENSIONS (mm)



FURTHER FEATURES

Capacity 3/8"

25 m

Capacity 1/2"

25 m