

P/N 352/50



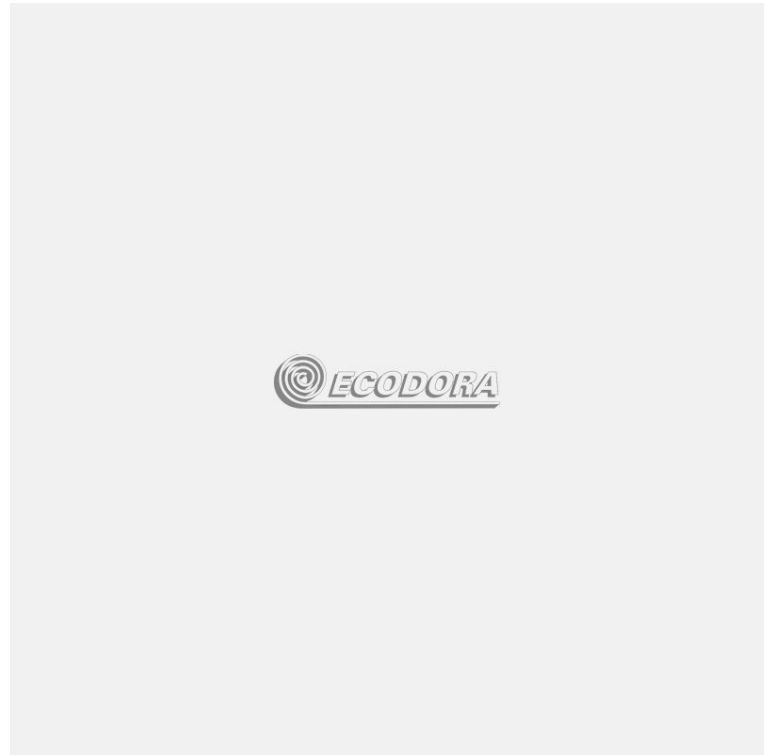
AISI 304 stainless steel fixed hose reel s. 350, for grease, 600 bar, without hose. Inlet-outlet G 3/8" (f)

SECTORS OF USE

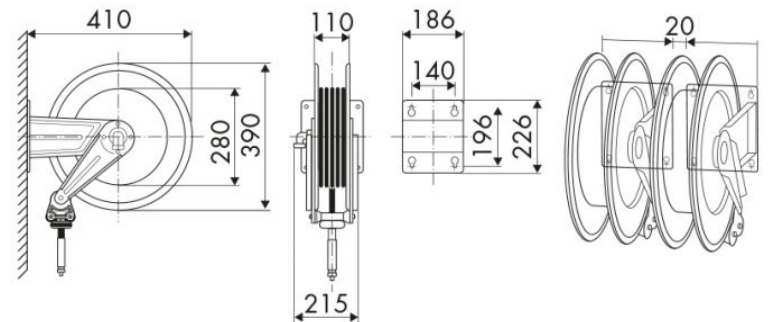
Agriculture, Cleaning, Industry

FEATURES

Pressure	600 bar
Compatible fluids	grease
Swivel joint	zinc plated steel
Seals	polyurethane
Characteristic	fixed
Material	AISI 304 stainless steel
Couplings	-
Hose	-
ø e hose length	-
Inlet	G 3/8" (f)
Outlet	G 3/8" (f)
Reel flow path	zinc plated steel - AISI 304 stainless steel



OVERALL DIMENSIONS (mm)



FURTHER FEATURES

Capacity 1/4"	Capacity 5/16"	Capacity 3/8"	Capacity 1/2"
15 m	16 m	17 m	12 m