

P/N 432/52



AISI 304 stainless steel fixed hose reel s. 430, for grease, 400 bar, with black rubber hose 18 m, \varnothing 1/4"

SECTORS OF USE

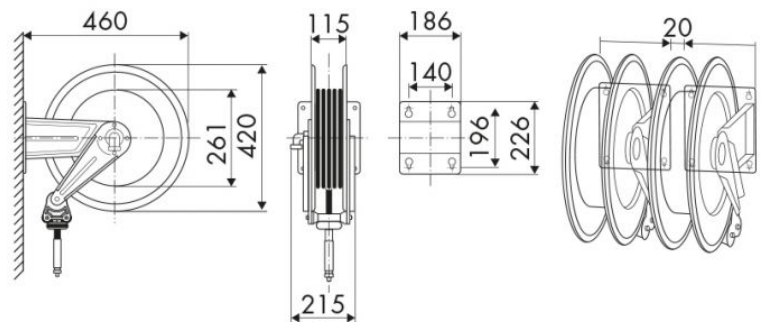
Agriculture, Cleaning, Industry

FEATURES

Pressure	400 bar
Compatible fluids	grease
Swivel joint	zinc plated steel
Seals	polyurethane
Characteristic	fixed
Material	AISI 304 stainless steel
Couplings	zinc plated steel
Hose	p/n 935/18
\varnothing e hose length	\varnothing 1/4" - 18 m
Inlet	G 3/8" (f)
Outlet	G 1/4" (m)
Reel flow path	zinc plated steel - AISI 304 stainless steel



OVERALL DIMENSIONS (mm)



FURTHER FEATURES

Capacity 5/16"

12 m

Capacity 3/8"

15 m