

P/N 544/20/B



Fixed hose reel in AISI 304 stainless steel s. 540, for Jet-A1 (Kerosene) and Avgas 100LL (Petrol), 10 bar, without hose. Inlet-outlet G 1" (f)

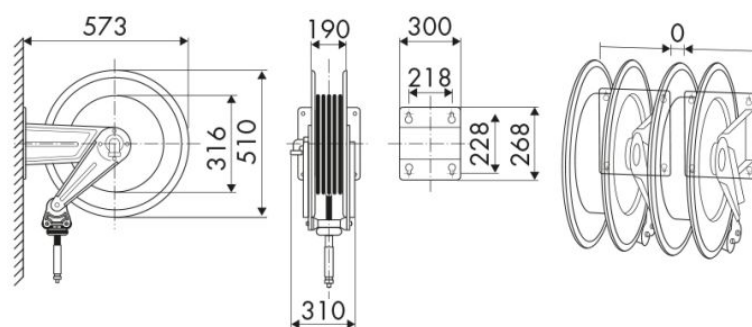
SECTORS OF USE

FEATURES

Pressure	10 bar
Compatible fluids	Jet-A1 (Kerosene) and Avgas 100LL (Petrol)
Swivel joint	AISI 304 stainless steel
Seals	Viton®
Characteristic	fixed
Material	AISI 304 stainless steel
Couplings	-
Hose	-
Ø e hose length	-
Inlet	G 1" (f)
Outlet	G 1" (f)
Reel flow path	AISI 304 stainless steel



OVERALL DIMENSIONS (mm)



FURTHER FEATURES

Capacity 5/8"	Capacity 3/4"	Capacity 1"
20 m	22 m	15 m