

## P/N 544/550



AISI 304 stainless steel fixed hose reel s. 540, for hot water, 700 bar, without hose. Inlet-outlet G 3/8" (f)

### SECTORS OF USE

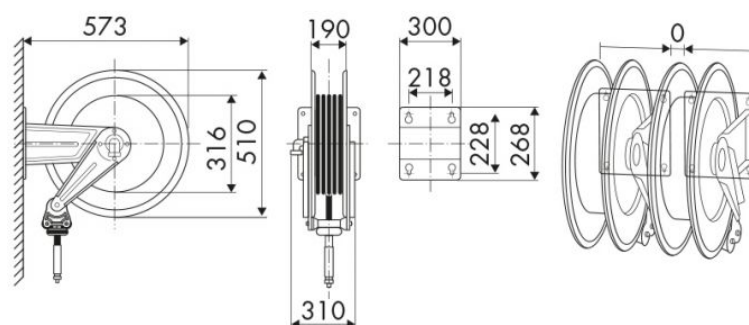
Agriculture, Cleaning, Building and road construction, Industry, Mining, Lube trucks and transports

### FEATURES

Pressure	700 bar
Compatible fluids	water max 130 °C
Swivel joint	AISI 304 stainless steel
Seals	Teflon®
Characteristic	fixed
Material	AISI 304 stainless steel
Couplings	-
Hose	-
ø e hose length	-
Inlet	G 3/8" (f)
Outlet	G 3/8" (f)
Reel flow path	AISI 304 stainless steel



### OVERALL DIMENSIONS (mm)



### FURTHER FEATURES

Capacity 5/16"	Capacity 3/8"	Capacity 1/2"	Capacity 5/8"
30 m	30 m	30 m	30 m