

## P/N 564/20/B

Fixed hose reel in AISI 304 stainless steel s. 560, for Jet-A1 (Kerosene) and Avgas 100LL (Petrol), 10 bar, without hose. Inlet-outlet G 1" (f)

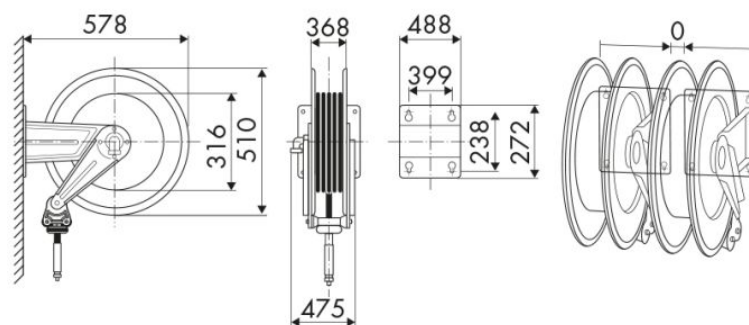
### SECTORS OF USE

### FEATURES

Pressure	10 bar
Compatible fluids	Jet-A1 (Kerosene) and Avgas 100LL (Petrol)
Swivel joint	AISI 304 stainless steel
Seals	Viton®
Characteristic	fixed
Material	AISI 304 stainless steel
Couplings	-
Hose	-
Ø e hose length	-
Inlet	G 1" (f)
Outlet	G 1" (f)
Reel flow path	AISI 304 stainless steel



### OVERALL DIMENSIONS (mm)



### FURTHER FEATURES

Capacity 5/8"	Capacity 3/4"	Capacity 1"
50 m	40 m	30 m