

P/N 430/41/AS



Fixed hose reel s. 430, for suction oil and similar, 150 bar, with black rubber hose 10 m, \varnothing 1/2"

SECTORS OF USE

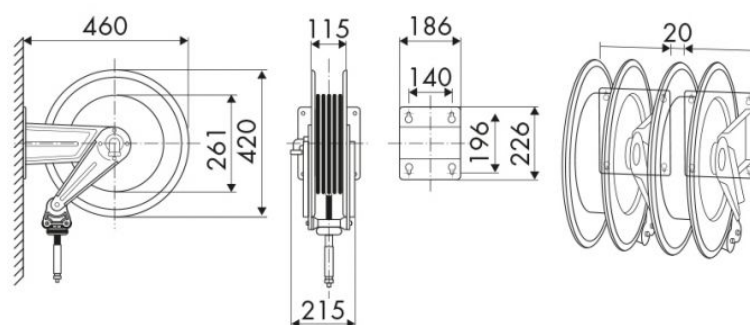
Agriculture, Automotive, Building and road construction, Industry, Lube trucks and transports

FEATURES

Pressure	suction
Compatible fluids	oils and similar products
Swivel joint	zinc plated steel
Seals	polyurethane
Characteristic	fixed
Material	painted steel
Couplings	zinc plated steel
Hose	p/n 963/11
\varnothing e hose length	\varnothing 1/2" - 10 m
Inlet	G 1/2" (f)
Outlet	G 1/2" (m)
Reel flow path	zinc plated steel



OVERALL DIMENSIONS (mm)



FURTHER FEATURES

Capacity 5/8"

14 m

Capacity 3/4"

8 m