

## P/N 530/35



Fixed hose reel s. 530, for hot water, 400 bar, without hose. Inlet G 3/8" (f) - outlet G 1/2" (f)

### SECTORS OF USE

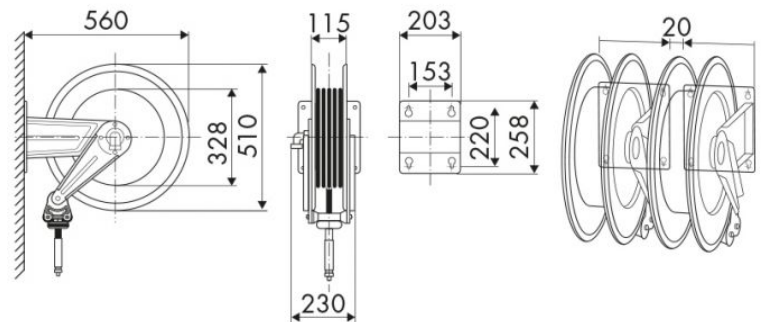
Agriculture, Automotive, Building and road construction, Industry, Lube trucks and transports

### FEATURES

Pressure	400 bar
Compatible fluids	water max 130 °C
Swivel joint	AISI 304 stainless steel
Seals	Viton® and Teflon®
Characteristic	fixed
Material	painted steel
Couplings	-
Hose	-
Ø e hose length	-
Inlet	G 3/8" (f)
Outlet	G 1/2" (f)
Reel flow path	AISI 304 stainless steel - zinc plated steel



### OVERALL DIMENSIONS (mm)



### FURTHER FEATURES

Capacity 3/8"	Capacity 1/2"
25 m	25 m