

P/N 530/550



Fixed hose reel s. 530, for hot water, 700 bar, without hose. Stainless steel swivel joint

SECTORS OF USE

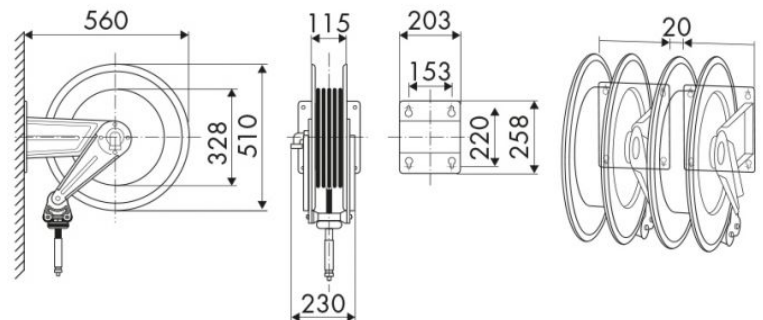
Agriculture, Automotive, Building and road construction, Industry, Lube trucks and transports

FEATURES

Pressure	700 bar
Compatible fluids	grease
Swivel joint	AISI 304 stainless steel
Seals	Teflon®
Characteristic	fixed
Material	painted steel
Couplings	-
Hose	-
Ø e hose length	-
Inlet	G 3/8" (f)
Outlet	G 3/8" (f)
Reel flow path	AISI 304 stainless steel



OVERALL DIMENSIONS (mm)



FURTHER FEATURES

Capacity 3/8"	Capacity 1/2"
25 m	25 m