

P/N 640/600

Fixed hose reel s. 640, for air-water and diesel, 20 bar, without hose. Inlet-outlet G 1.1/2" (f)

SECTORS OF USE

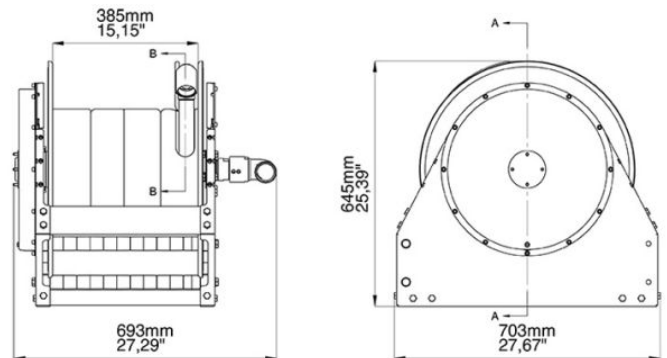
Agriculture, Automotive, Building and road construction, Industry, Mining, Lube trucks and transports

FEATURES

Pressure	20 bar
Compatible fluids	air - water - diesel fuel
Swivel joint	brass
Seals	Viton®
Characteristic	fixed
Material	painted steel
Couplings	-
Hose	-
Ø e hose length	-
Inlet	G 1.1/2" (f)
Outlet	G 1.1/2" (f)
Reel flow path	brass - zinc plated steel



OVERALL DIMENSIONS (mm)



FURTHER FEATURES

Capacity 1.1/4"	Capacity 1.1/2"
20 m	15 m