

P/N 0E3C1/30111EAA



Diaphragm pump in aluminum series AAB-114 with membranes in EPDM, balls and seats in acetal

SECTORS OF USE

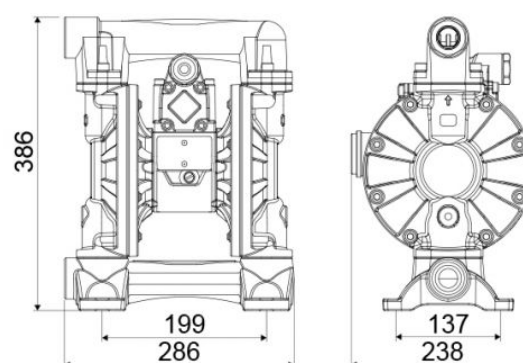
Agriculture, Automotive, Building and road construction, Industry, Mining, Lube trucks and transports

FEATURES

Ratio	1:1
Flow rate	200 l/min
Max pressure	8 bar
Max cycles per minute	260 cpm
Delivery per cycles	0,800 l
Max suction lift	dry column 5 m - wet column 7,5 m
Max size pumpable solids	3 mm
Max working temperature	100 °C
Noise level	75 dB
Max air consumption	1,80 m ³ /min
Air working pressure	2÷6 bar
Air inlet connection	G 3/4" (f)
Air outlet connection (muffler)	G 1" (f)
Fluid inlet connection	G 1.1/4" (f)
Fluid outlet connection	G 1.1/4" (f)
Balls for inlet	ball valve
Membranes	EPDM



OVERALL DIMENSIONS (mm)



Balls	acetal
Seats	acetal
Packing	No. 1 - 0,030 m ³
Gross weight	15 kg