

## P/N 0E3C1/40111SSS



Diaphragm pump in aluminum series AAB-112 with membranes, balls and seats in Santoprene™

### SECTORS OF USE

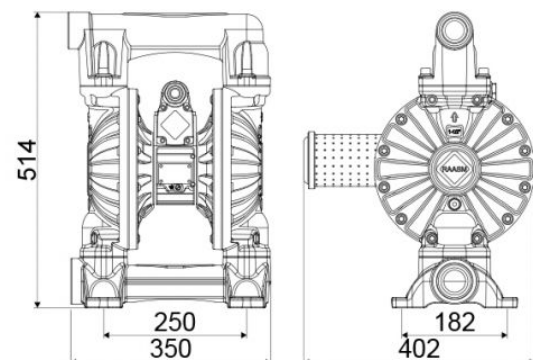
Agriculture, Automotive, Building and road construction, Industry, Mining, Lube trucks and transports

### FEATURES

Ratio	1:1
Flow rate	480 l/min
Max pressure	8 bar
Max cycles per minute	220 cpm
Delivery per cycles	2,150 l
Max suction lift	dry column 5 m - wet column 7,5 m
Max size pumpable solids	5,5 mm
Max working temperature	100 °C
Noise level	78 dB
Max air consumption	3,40 m <sup>3</sup> /min
Air working pressure	2÷6 bar
Air inlet connection	G 3/4" (f)
Air outlet connection (muffler)	G 1" (f)
Fluid inlet connection	G 2" (f)
Fluid outlet connection	G 1.1/2" (f)
Balls for inlet	ball valve
Membranes	Santoprene™



### OVERALL DIMENSIONS (mm)



Balls	Santoprene™
Seats	Santoprene™
Packing	No. 1 - 0,070 m <sup>3</sup>
Gross weight	21,5 kg