

ARTISTIC
INTELLIGENCE

 **ECODORA**



TROLLEY-MOUNTED
HOSE REELS

CATALOGUE
No. E17/AC

TECHNOLOGY FOR FLUIDYNAMICS

The complete range of our products is presented in the following catalogues:

- HOSE REELS CATALOGUE No. E14/A1
- HOSE REELS CATALOGUE No. E14/A2
- HOSE REELS CATALOGUE No. E14/A3
- MANUAL HOSE REELS CATALOGUE No. E15/AM
- CABLE REELS CATALOGUE No. E15/AE
- AISI 316 STAINLESS STEEL HOSE REELS CATALOGUE No. E15/AA
- OIL CATALOGUE No. E14/LO
- GREASE CATALOGUE No. E14/LG
- DIGITAL METER AND PULSER
- FLUID CONTROL SYSTEM
- RAM HOISTS CATALOGUE No. E15/SP
- DIAPHRAGM PUMPS CATALOGUE No. E17/PM

Download from our website or ask to the sales dept



HELP THE NATURE

Packaging contains, depending on the articles, one or more of the following materials; they must be recycled in accordance with current regulations in the country of use.

cardboard • polyethylene sack • polystyrene • paper • wood • nails
• plastic strap • cellophane • clips • gummed paper





OUR STRENGTHS

The widest range of technology for fluidynamics designed to meet all the needs of our clients with cutting-edge solutions, even the most specific.

The quality, reliability and design that have always distinguished the Ecodora brand in the global market.

A technical service before and after sales to recommend the most suitable product according to the customer's needs as well as to provide support to the end users.

OUR GOALS

To develop a long lasting cooperation with our customers by listening to their needs and their expectations.

To meet every user's need by offering only high quality products.

www.ecodora.com
info@ecodora.com

CE Made in Italy

INDEX

TROLLEY-MOUNTED HOSE REELS

Technical characteristics page **8**

Series 530 galvanized and stainless steel page **10**

Serie 540 galvanized and stainless steel page **11**

Series 560 galvanized and stainless steel page **12**



ADVANTAGES



✓ security

system that **prevents the handle rotation** while the hose unreels, thus avoiding accidental damages to people or things.

✓ rotation lock

as standard eliminates the risk of involuntary drum rotation.

✓ hose guide

as standard makes winding easy.

✓ fold-in handle

as standard reduces the dimensions of the hose reel and simultaneously increases safety during use and movement.

✓ trolley brake

as standard automatically locks the when stationary.

✓ max reel capacity

The spring absence allows for the maximum utilization of the drum space.



Why choose a trolley-mounted hose reel?

It's the ideal solution for the following situations:

- ▶ if there's no free space on the wall or on the ceiling
- ▶ if you have to save money in order to the hose reels installed, moving one in more working points
- ▶ if you need to be closer to the working point

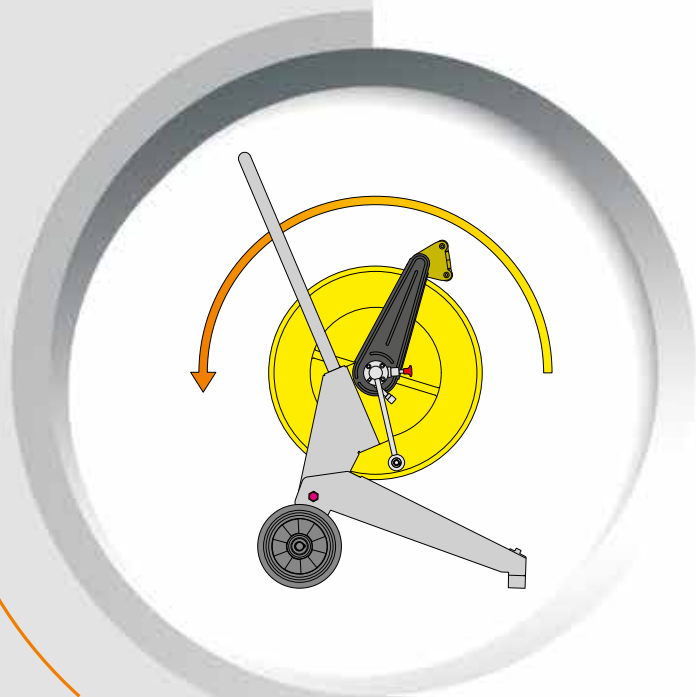
✓ AISI 304 or AISI 316

stainless steel version for particularly aggressive environments.

TROLLEY USE

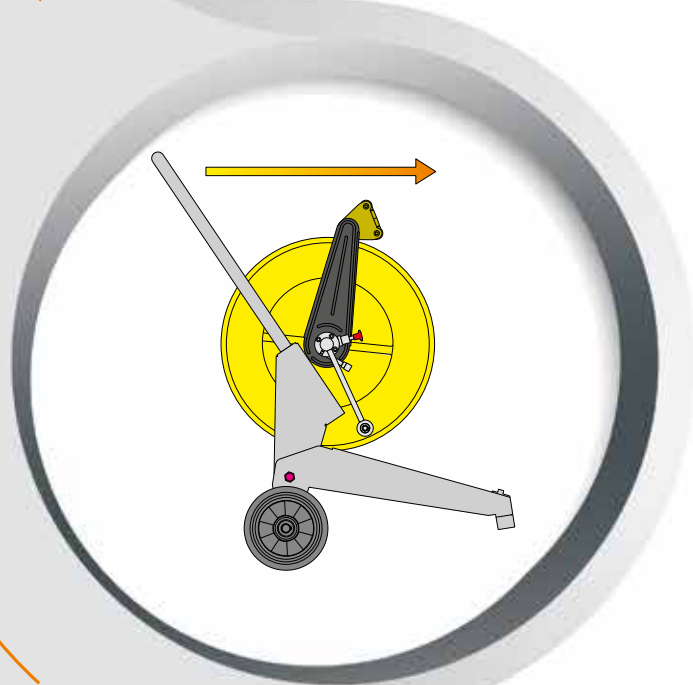
1

Tilt the handle downward: the super block system is automatically deactivated, but the trolley is still touching the ground.



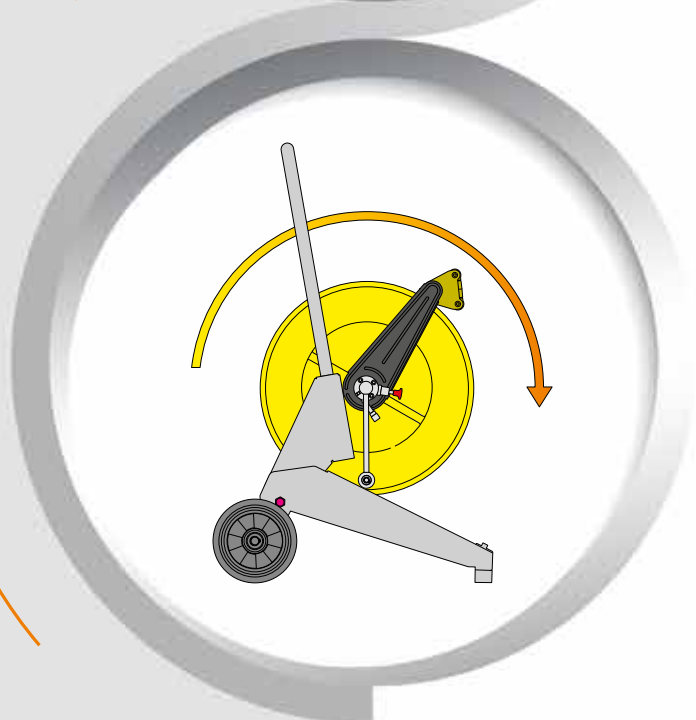
2

Tilt the handle further back and move the trolley in the desired direction.



3

Slowly release the handle until the trolley is resting completely on the ground: the super block system is activated automatically.



We advise activating the drum lock and folding in the handle while moving the trolley.



arms with hose guide as standard make unrolling easier and more orderly

drum rotation lock as standard

fold-in handle as standard. Reduces dimensions and increases safety in one simple gesture



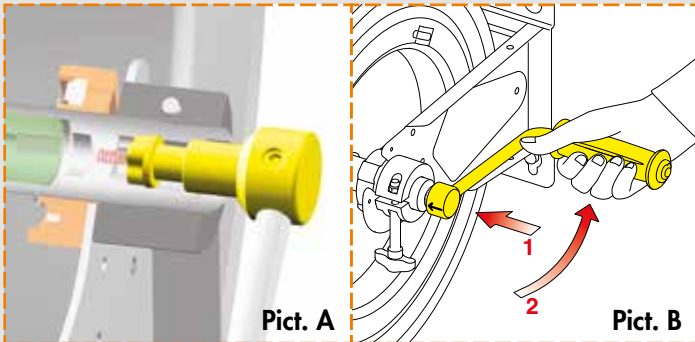
AUTOMATIC BRAKE is the innovative trolley block for the stationary position

SAFETY SYSTEM. The handle rotation lock system allows you to work without any concerns



Series 530-540-560

Technical characteristics

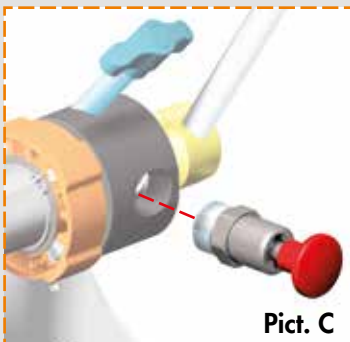


SECURITY SYSTEM

The hose reel is designed with a new security system that allows the handle to stay in place, avoiding the rotation during the manual hose unreeling (**Picture A**).

To rewind the hose, use the handle as follows (**Picture B**):

- 1 press on the knob that connects the handle to the drum
- 2 rotate handle counterclockwise



ROTATION LOCK (Picture C)

This special device stops any drum movement.

1 REGULATION CLUTCH

Allows to regulate the drum rotation speed during the hose unwinding.

2 AUTOMATIC BRAKE

It's the innovative trolley block for the stationary position.

3 "SMART" TROLLEY

Durable and user-friendly, it allows quick movement of the hose winder for operation in different work environments with the same equipment.

4 CENTRAL PIN

Available, depending on model, in galvanized steel or in stainless steel AISI 304 or AISI 316. Suitable to work with different kinds of fluids and with passages sized to avoid pressure losses.

5 DRUM SUPPORT BUSHINGS

Drum support bushings in Tenaxid, self lubricating material resistant against corrosion.

6 SWIVEL JOINT

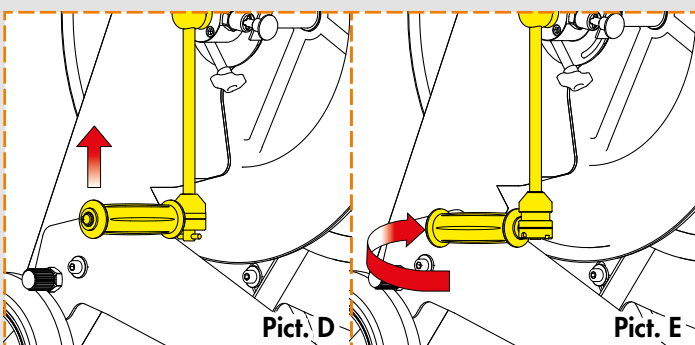
Designed with the ideal internal dimensions to guarantee the most possible flow. It is realized, depending on the model, in brass, AISI 304 or AISI 316 stainless steel, with seals in Viton® and Teflon®.

7 HOSE GUIDE

This accessory is provided as standard and guides the hose for orderly and correct winding. It is equipped with horizontal and vertical rollers that reduce wear of the hose.

8 DRUM

Sturdy and practical, with beads to reinforce the structure and rounded border. Available in painted steel or AISI 304 and AISI 316 stainless steel.



FOLD-IN HANDLE

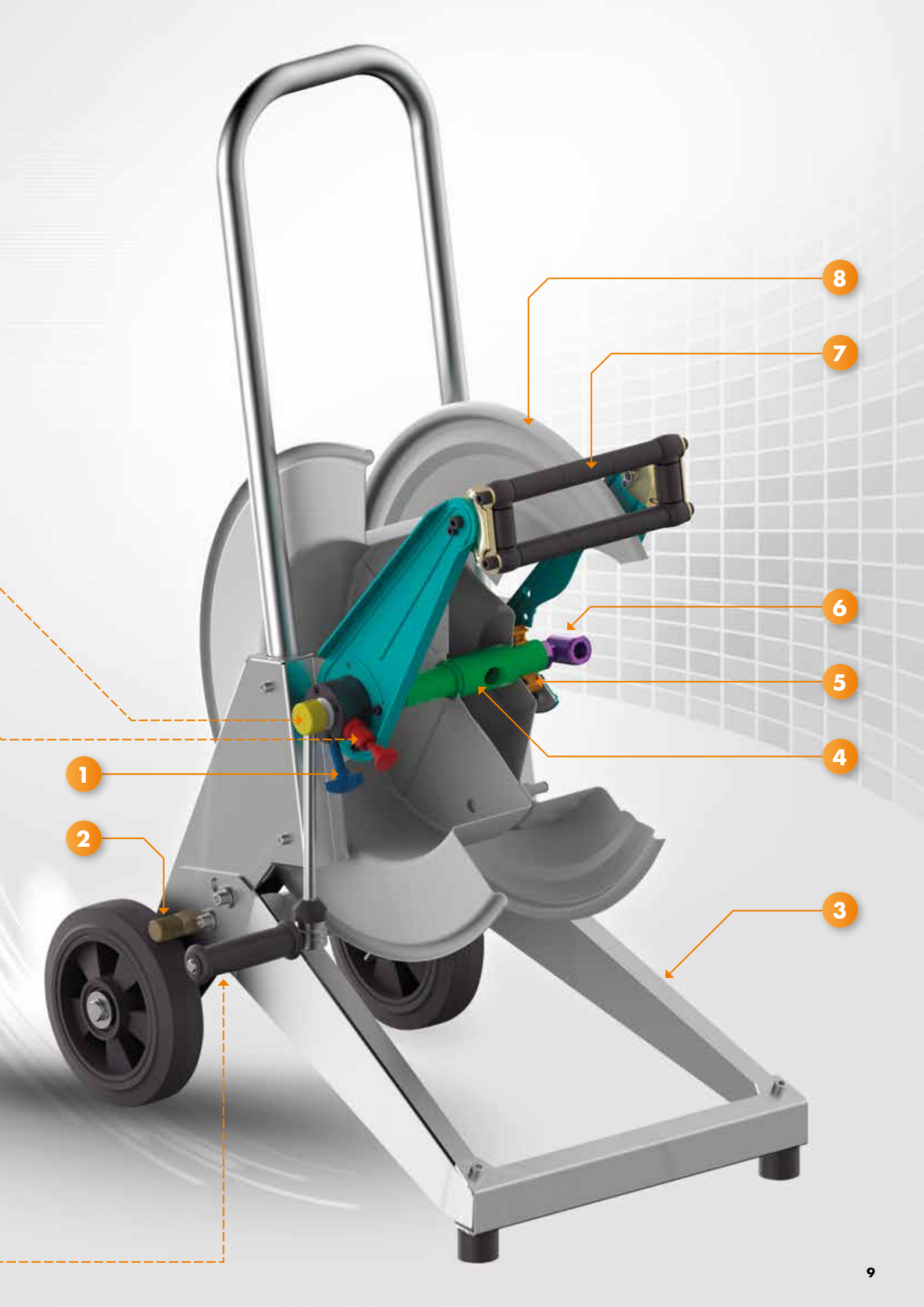
The fold-in handle featured as standard on the trolley-mounted hose reels, can be used to reduce dimensions and increase safety.

Instructions for use:

Pict. D Push the handle upwards

Pict. E Rotate the handle right or left to fold it in

To restore the handle's starting position push the handle upwards and turn it 90°.



1

2

8

7

6

5

4

3

Hose reel Series 530

manual trolley-mounted

The dimensions of the **530 Series manual trolley-mounted hose reels** guarantee ample rewinding length while maintaining a lightweight and versatile product.

Comfortable and safe



Note: All the hose reels in the table are without hose

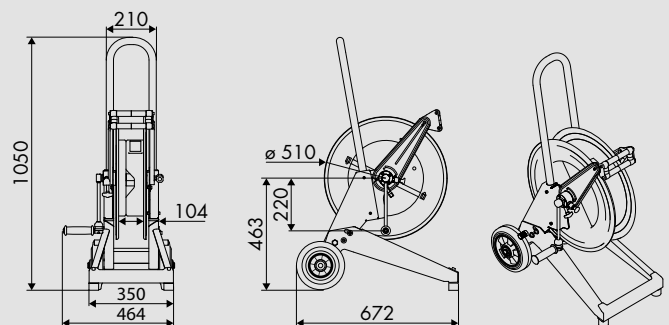
TROLLEY-MOUNTED DRUM	GALVANIZED STEEL PAINTED STEEL	AISI 304 S. STEEL AISI 304 S. STEEL	AISI 316 S. STEEL AISI 316 S. STEEL	Connection	
				inlet	outlet
Air - Water 20 bar - brass swivel joint - Viton® seals	236530/10	246532/10	-	F 1/2" G	F 1/2" G
Water max 130 °C 100 bar - AISI 304 stainless steel swivel joint - Viton® seals	236530/20	246534/20	256535/20 *	F 1/2" G	F 1/2" G
Water max 130 °C 200 bar - AISI 304 stainless steel swivel joint - Viton® seals	236530/30	246534/30	256535/30 *	F 3/8" G	F 1/2" G
Water max 130 °C 400 bar - AISI 304 stainless steel swivel joint - Teflon® seals	236530/35	246534/35	256535/35 *	F 3/8" G	F 1/2" G

* AISI 316 stainless steel swivel joint

HOSE REEL CAPACITY

EXTERNAL HOSE Ø		SERIES 530
	1/4"	14 mm Length max 60 m
	3/8"	17 mm Length max 35 m
	1/2"	20 mm Length max 25 m
	5/8"	21 mm Length max 18 m
	3/4"	27 mm Length max 15 m
	1"	34 mm Length max 7 m

OVERALL DIMENSIONS (mm)



N° 1 packing m³ 0,28 26 kg

Hose reel Series 540

manual trolley-mounted

The manual hose reel Series 540 is an efficient and simple solution to the handling of flexible hoses even up to 1".

lighter and more manageable



Note: All the hose reels in the table are without hose

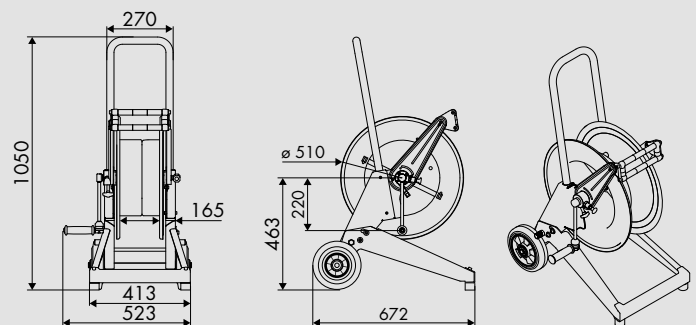
TROLLEY-MOUNTED DRUM	GALVANIZED STEEL PAINTED STEEL	AISI 304 S. STEEL AISI 304 S. STEEL	AISI 316 S. STEEL AISI 316 S. STEEL	Connection	
				inlet	outlet
Air - Water 20 bar - brass swivel joint - Viton® seals	236540/10	246542/10	-	F 1" G	F 1" G
	236540/15	246542/15	-	F 1/2" G	F 1/2" G
Water max 130 °C 100 bar - AISI 304 stainless steel swivel joint - Viton® seals	236540/20	246544/20	256545/20 *	F 1" G	F 1" G
	236540/25	246544/25	256545/25 *	F 1/2" G	F 1/2" G
Water max 130 °C 200 bar - AISI 304 stainless steel swivel joint - Viton® seals	236540/30	246544/30	256545/30 *	F 3/8" G	F 1/2" G
	236540/35	246544/35	256545/35 *	F 3/8" G	F 1/2" G

* AISI 316 stainless steel swivel joint

HOSE REEL CAPACITY

EXTERNAL HOSE Ø		SERIES 540
	1/4"	14 mm Length max 110 m
	3/8"	17 mm Length max 60 m
	1/2"	20 mm Length max 45 m
	5/8"	21 mm Length max 25 m
	3/4"	27 mm Length max 20 m
	1"	34 mm Length max 15 m

OVERALL DIMENSIONS (mm)



N° 1 packing m³ 0,28 29 kg

The hoses to be assembled on the hose reels must be suitable for the working pressures specified on the label.

Hose reel Series 560

manual trolley-mounted

Amongst the manual trolley-mounted hose reels types, the **Series 560 is the most spacious**. Regardless of its strength, the simple operation is maintenance free.



Note: All the hose reels in the table are without hose

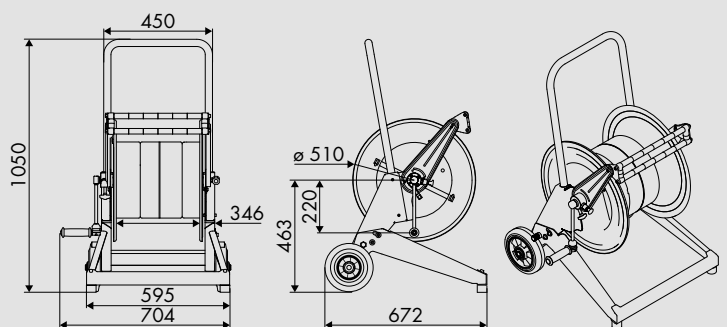
TROLLEY-MOUNTED DRUM	GALVANIZED STEEL PAINTED STEEL	AISI 304 S. STEEL AISI 304 S. STEEL	AISI 316 S. STEEL AISI 316 S. STEEL	Connection	
				inlet	outlet
Air - Water 20 bar - brass swivel joint - Viton® seals	236560/100	246562/100	-	F 1" G	F 1" G
	236560/15	246562/15	-	F 1/2" G	F 1/2" G
Water max 130 °C 100 bar - AISI 304 stainless steel swivel joint - Viton® seals	236560/20	246564/20	256565/20 *	F 1" G	F 1" G
	236560/25	246564/25	256565/25 *	F 1/2" G	F 1/2" G
Water max 130 °C 200 bar - AISI 304 stainless steel swivel joint - Viton® seals	236560/30	246564/30	256565/30 *	F 3/8" G	F 1/2" G
Water max 130 °C 400 bar - AISI 304 stainless steel swivel joint - Teflon® seals	236560/35	246564/35	256565/35 *	F 3/8" G	F 1/2" G

* AISI 316 stainless steel swivel joint

HOSE REEL CAPACITY

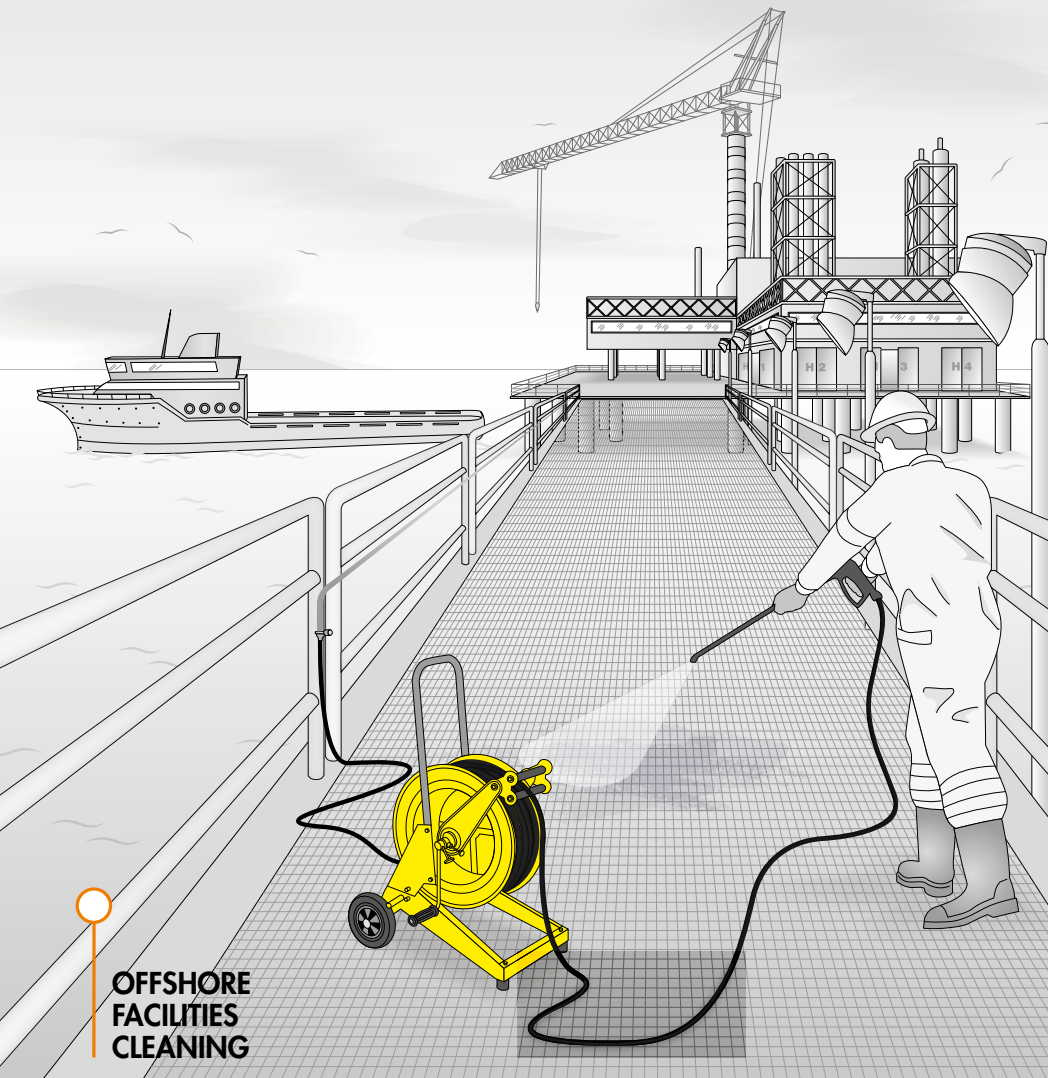
EXTERNAL HOSE Ø		SERIES 560
	1/4" / 14 mm	Length max 200 m
	3/8" / 17 mm	Length max 120 m
	1/2" / 20 mm	Length max 85 m
	5/8" / 21 mm	Length max 60 m
	3/4" / 27 mm	Length max 45 m
	1" / 34 mm	Length max 30 m

OVERALL DIMENSIONS (mm)



N° 1 packing m³ 0,35 36 kg

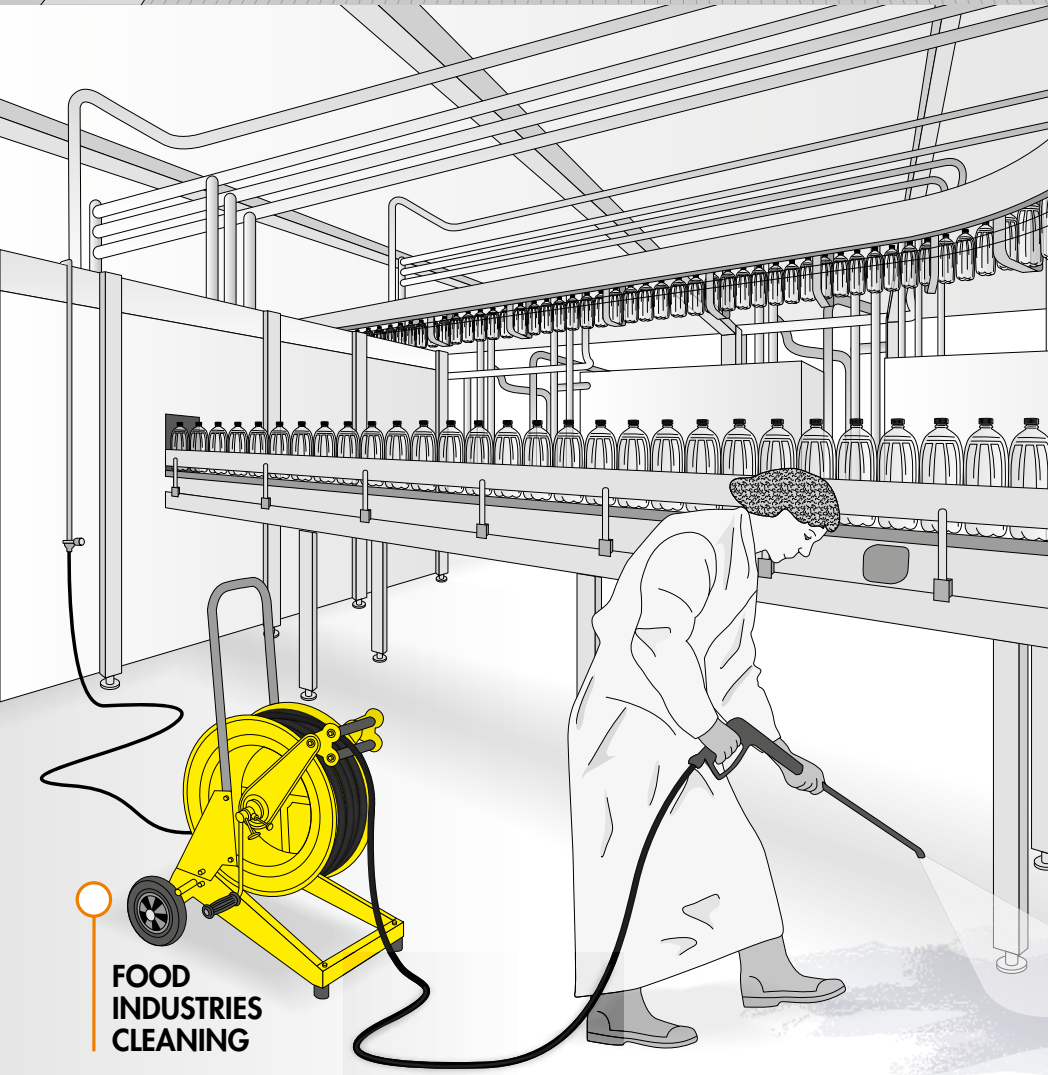
Examples of application sectors



OFFSHORE FACILITIES CLEANING

Ecodora trolley-mounted hose reels can be used in every working environment thanks to their wide range of articles made also of sturdy materials.

Stainless steel versions are ideal to be used in shipyards and maritime areas, in chemical or food industries and in swimming pools and cellars.



FOOD INDUSTRIES CLEANING

Painted steel versions, instead, give their best performances in no corrosive environments, as automotive garages or metalworking industry.

General sales conditions

For foreign markets

The following general sales conditions regulate the sale of goods and services by the company ECODORA S.r.l. for customers residing outside the territory of the Italian State.

Art. 1 GOODS DELIVERY TERMS

The goods are delivered ex works ECODORA S.r.l.

The subsequent transport/shipment must occur by, in the name and at the expense of the purchasing customer, even by means of carrier designated by the same.

All risks arising from loading, subsequent custody and transport are borne entirely by the purchasing customer.

Art. 2 MINIMUM ORDERS

Each order cannot be for less than €. 1,500.00, net of taxes, discounts and rebates. If, at the option of ECODORA S.r.l., orders for lower amounts are accepted, an extra charge of €. 155.00 shall be applied for order management administrative expenses.

Art. 3 ACCESSORIES

All the accessories given in the price list (plugs, oil bar taps, oil guns, grease guns, probes, protection caps, clutches, swivelling supports etc.) are supplied exclusively for fitting to or combining with the items ECODORA S.r.l. produces.

Art. 4 COMPLAINTS

Any defects immediately noticed after a brief inspection of the goods (damage, shortages or different product from that ordered) must be notified in writing to our company within 8 (eight) days of receipt the goods. Any defects in the product noticeable only during its use must be notified in writing to ECODORA S.r.l. within 8 (eight) days of being detected. Any returns of goods must be authorized in advance by ECODORA S.r.l. and freight charges are at the customer's expenses.

Art. 5 DELIVERY TIMES/TERMS

Delivery times and dates are only approximate and are subject to change. Any delays in delivery do not entitle the customer to cancel the order or claim compensation for damages caused by delay of delivery. Delivery times for urgent orders must be agreed directly by ECODORA S.r.l..

ECODORA S.r.l. has the right not to carry out the order and/or totally or partially carry it out, without this giving rise to reimbursement or claims for compensation for damage.

Art. 6 PACKS AND PACKAGING

Packaging costs are included in the price, except for special packing, which shall be charged at cost.

Art. 7 PRICES

The current Price list cancels and replaces the previous price list. In the event of changes to our price list and/or individual items, the goods shall be forwarded at the price in force on the day of delivery. The price list and/or the prices of individual items can be changed even without notice, according to the changes in market conditions or technical innovations/modifications made to the product.

The prices are understood to be ex works ECODORA S.r.l.

Art. 8 PAYMENTS

Payments must be made exclusively to ECODORA S.r.l. at the agreed conditions. Under no circumstances will deductions or roundings be accepted. In case of late payment with respect to the agreed conditions, ECODORA S.r.l. reserves the right to charge interest at the current rate, effective from the day after that agreed for payment, plus any additional expenses.

Discounts conditional on the payment term and already credited shall be recharged.

Art. 9 WARRANTY

ECODORA S.r.l. provides each product with the communication of particular instructions for the installation, use and maintenance requirements and the need to carry out possible checks on the product. Incorrect installation, use or maintenance of the product shall void the warranty.

The articles must be returned free to our Factory for checking and acceptance. All the technical information and data mentioned in the catalogue and in the price-list in force are not binding and can be changed without prior notice for the purpose of improving the quality of the products.

All products manufactured by ECODORA S.r.l. are guaranteed for a period of 5 (five) years. The 5 (five) year guarantee does not apply to components which are subject to normal wear and tear (such as gaskets, membranes, O-rings, hoses, etc), electronic components and items that are sold but not manufactured by ECODORA S.r.l. (marked with an asterisk in the current product catalogue) which are guaranteed for 1(one) year.

1 (one) year warranty is valid also for the following products:

- digital litre counters and FCS system;
- cable reels;
- electric, pneumatic or hydraulic motor supplied with our industrial hose reels S. 600 and 700.

Art. 10 RESPONSIBILITY

ECODORA S.r.l. is exempt from any responsibility and liability for accidents that may occur to persons and property, as a result of or during the use of the equipment, due to or depending on the same whenever the products have been damaged during transport, tampered with or modified, or improperly used, or stored, installed, protected and preserved without complying with the instructions of ECODORA S.r.l. as given in the installation, use and maintenance instruction manuals for each product.

ECODORA S.r.l. is liable for the value for the supplied product and cannot be held responsible in any way for other possible costs or additional costs that the customer may bear.

Art. 11 COMPETENT LAW COURT

Any disputes shall be settled by the Law Court of Vicenza, Italy.





The Intellectual Property rights to the trademark ECODORA are exclusive and all rights to its use and reproduction are reserved.

The ECODORA trademark is a protected trademark at an international level. No part of the ECODORA trademark and its logo may be utilized, copied and/or used in any form, time and space, even by means of improper alterations.

The Intellectual Property rights on the images published in this catalogue are owned exclusively by ECODORA S.r.l. and any unauthorized reproduction is prohibited.

Any use in general of the assets protected by the Intellectual Property rights of the trademark ECODORA is prohibited and is subject to the prior written permission of ECODORA S.r.l.

The manufacturer declines any responsibility for possible inaccuracies contained in this catalogue, due to printing or transcription errors.

The manufacturer reserves the right to make any changes or improvements of a functional, technical or aesthetic nature without prior notice.



All rights reserved to Ecodora s.r.l.

Ecodora S.r.l.
Vicenza - Italy
tel. +39 0424 570891
fax +39 0424 571354
www.ecodora.com
info@ecodora.com



WECAVVCAR2017-GB

CE Made in Italy